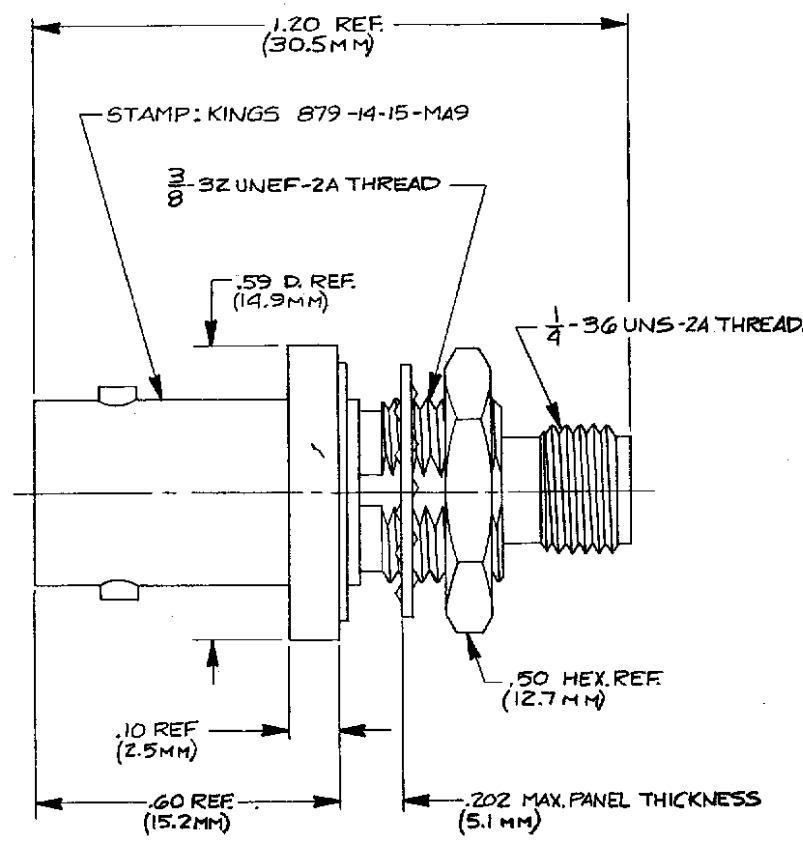


DASH NO.	M CODE	MADE FROM
----------	--------	-----------

879-14-15-MA9

GSD

REVISIONS	
ISSUE	CHANGES
1	CN 27180 C GA 23 MAY 85



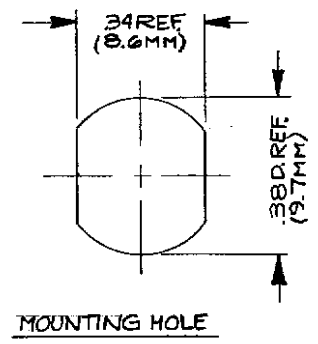
NOTES: (CONT)

2. FINISHES:  
ALL METAL PARTS - HARD GOLD PLATE PER MIL-G-45204.

3. ELECTRICAL CHARACTERISTICS:  
WORKING VOLTAGE - 500 VOLTS RMS.  
NOMINAL IMPEDANCE - 50Ω.  
FREQUENCY RANGE - DC TO 40GHz.

NOTES:

1. MATERIALS:  
CONTACT - BERYLLIUM COPPER, QQ-C-530.  
SMA BODY - BERYLLIUM COPPER, QQ-C-530.  
LOCKWASHER - PHOSPHOR BRONZE, QQ-B-750.  
GASKET - SILICONE RUBBER, ZZ-R-765.  
INSULATOR - TEFLON, L-P-403.  
ALL OTHER METAL PARTS - BRASS, QQ-B-626.



UNLESS OTHERWISE SPECIFIED:

1. TOLERANCES: FRACTIONS & 2 PLACE DECIMALS ± .010	2. REMOVE ALL BURRS, BREAK SHARP EDGES .005 MAX.
3 PLACE DECIMALS ± .004	3. NO FILLETS PERMITTED.
ANGLES ± 0°30'	4. SURFACE ROUGHNESS 63 MICROINCHES RMS MAX.
T. I. R. CONCENTRICITY OF ANY 2 DIAMETERS MAY NOT EXCEED HALF THE SUM OF THEIR TOLERANCES.	5. ALL DIMENSIONS PRIOR TO PLATING.
	6. ALL PLATING IN ACCORDANCE WITH KER 10004.

SCALE	4:1
APPROX. SURFACE AREA	
USED ON	
REF	
BULKHEAD ADAPTER SMA TO ENC	
DRAWN	AMD DATE 24 MAR 88
APPR	MJB DATE 25 MAR 88
APPR	DATE

**KINGS**  
ELECTRONICS CO., INC.  
EACHAUX, NEW YORK 10017

GSD 879-14-15-MA9